

Specification Data Amuheat Laminate Panel



An electric carpet floor heating mat constructed of a 1mm heating element sandwiched between a porous polyester fabric that provides a consistent even heat distribution at 160W/m², installed above the subfloor between the carpet and underlay. A range of laminate panel sizes available in 240V to suit any room layout.

General Information

- Amuheat Laminate Panel is an electrical floor heating system designed for use between carpet floor finishes and the underlay, for direct or background underfloor heating applications.
- Laminate Panel is suited for renovations or new builds (no screed bed required) in living spaces such as home theatre's, family rooms, rumpus rooms, bedrooms & offices.

Product Approvals

- Tested in compliance with IEC 60335-1:2001, EN 50082-1:1992
- UL listed

Laminate Panel Specifications

- Laminate Panel in 230V is available in 15 sizes, with an output power of 160W/m².
- The consistent pre-configured 1mm heating element sandwiched between a porous polyester fabric eliminates hot or cold spots.
- The factory fitted cold tail leads ensure splice connections are waterproof and safe from shock or fire hazard.

Heating Element

- Multi-stranded self regulating heating element of copper alloy construction insulated with Tefzel.
- A stainless steel earth screen covers the heating element with an outer layer of Tefzel tested for insulation to 5000 Volt.
- The total heating element diameter measures 1mm.

Cold Tail Leads

- 6 Metre factory terminated and waterproof tested cold tail leads.

Heating Control

For increased efficiency, a programmable thermostat is used. Thermostats have a:

- timer
- controllable temperature setting
- air & floor sensor probe sensor
- battery backup for program settings

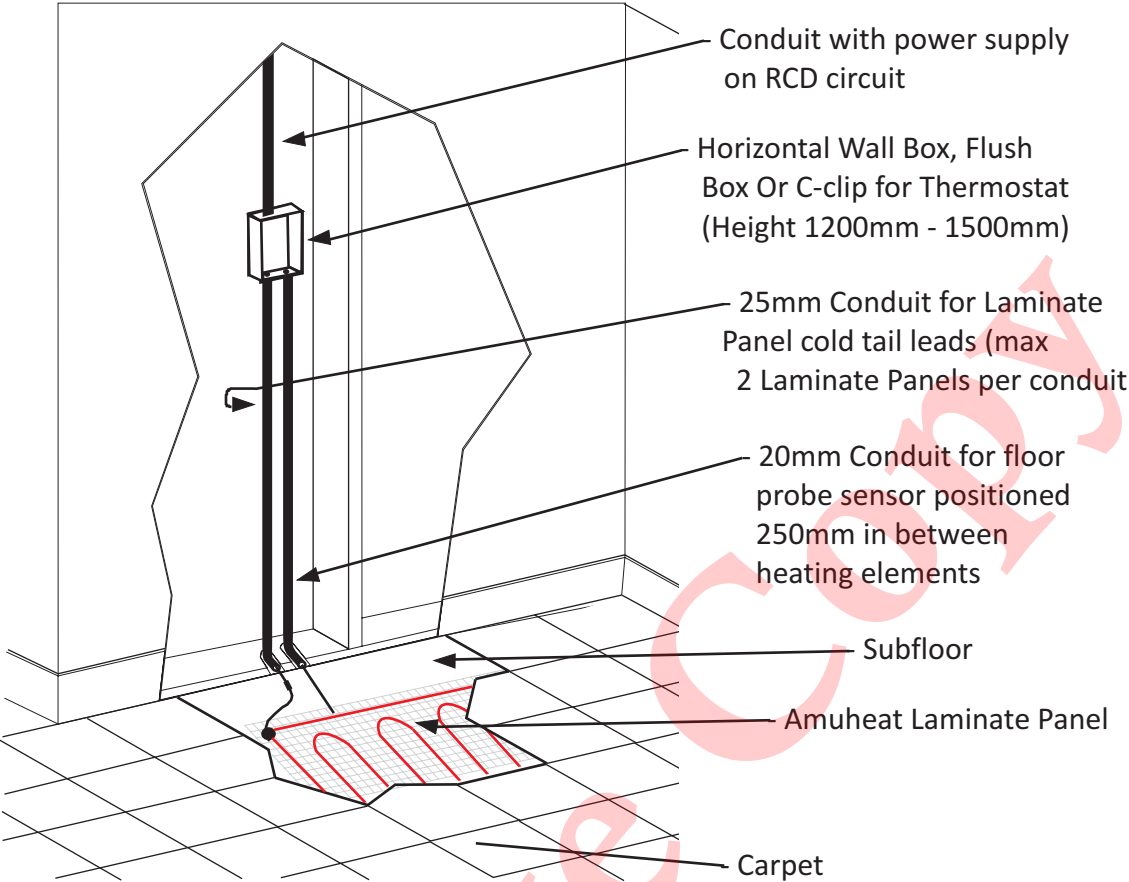
Installation Overview

- Electrical preparation
- Floor preparation
- Plan layout
- Test Laminate Panel
- Lay Laminate Panel
- Test Laminate Panel
- Install floor coverings
- Connect supply and thermostat

Technical Services

Visit www.amuheat.com.au or call Amuheat Support on (02) 9114 6934.

Electrical Rough-In & Components of Amuheat Laminate Panel Installation



Archive