



## 240v 8 Zone Underfloor Heating Wiring Centre

### Notes

**Note 1**  
Optional UFH Manifold Zone Valve used only to prevent flow of water to manifold and UFH is off and another circuit is in operation.

If Zone Valve is not used a link needs to be placed between motorised valve connections marked GR & OR to enable boiler firing.

### Note 2

Up to 2 Actuators can be connected to the same terminal, ie max 4 actuators per zone block.

### Note 3

As JGPRTE but with an addition of a 5 day/2 day timer for domestic hot water. Heating and hot water can be set to give different timed control periods.

### Note 4

**Radiator Zone Control**  
A simple slide switch makes zone 8 suitable for controlling a radiator zone. When used for controlling radiators, zone 8 will enable the actuator terminals but does not enable the underfloor heating pump, valve and boiler.

### Note 5

When using a probe with this thermostat, you can select which sensor option should be used. You can select between air temperature only, floor temperature, or both.

When you enable both sensors, the floor sensor is used as a floor limiting sensor and is designed to prevent the floor from overheating.

Connect probe to RT1 & - for Floor sensing.

Connect probe to RT2 & - for Air sensing.

### PROGRAMMABLE ROOM THERMOSTAT (JGPRTE)



### Optional Radiator Zone Valve

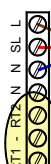
See Note 4



### PROGRAMMABLE ROOM THERMOSTAT (JGPRTE)

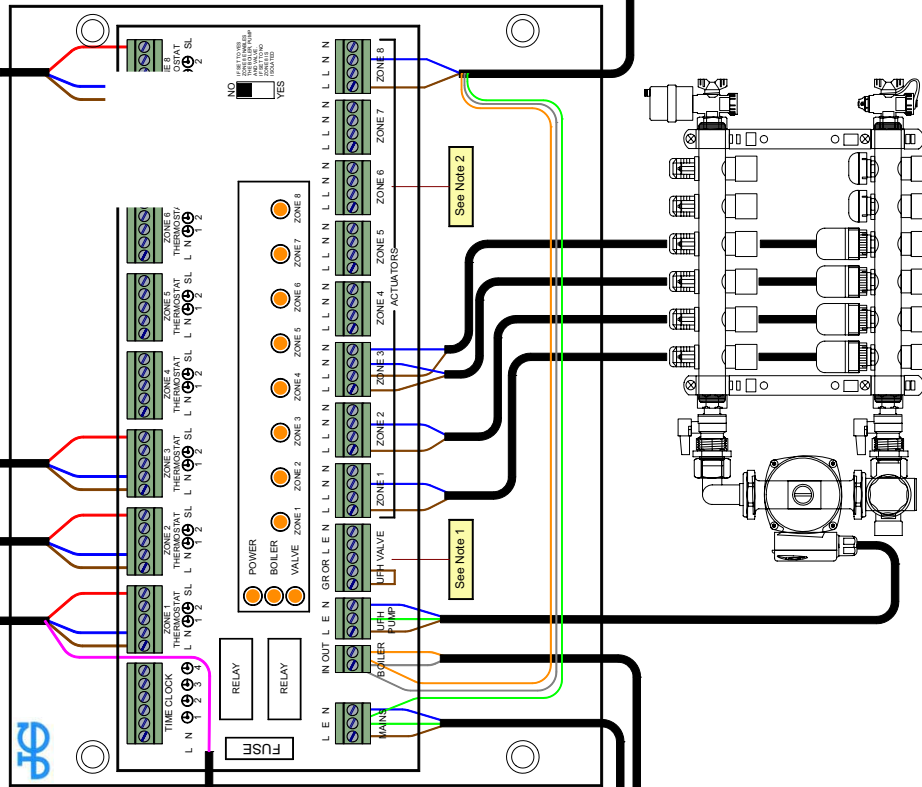


### PROGRAMMABLE ROOM THERMOSTAT (JGPRTE)



See Note 4 for Optional Probe Connections RT1 & RT2

### PROGRAMMABLE ROOM THERMOSTAT (JGPRTHW)



### Optional Cylinder Stat

See Note 3



3 Amp Fused Spur



Boiler

### UNDERFLOOR HEATING MANIFOLD