

# Programmable Thermostat AT908B

## Specification Data



### Features

- Scheduled programming or manual mode operation
- Large backlit LCD screen which displays set temperature, room temperature and time clock simultaneously
- A backup battery for user and program setting retention after power loss
- Switching capacity 16A (230V)

### Control

The AT908B electronic thermostat offers three control modes:

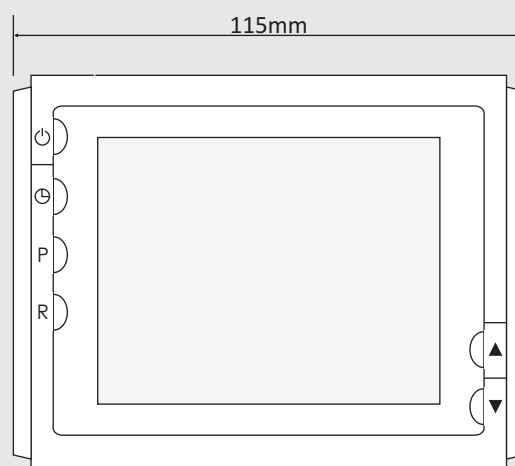
- Air temperature only via built-in sensor
- Floor temperature only via floor sensor
- Air temperature via built-in sensor whilst limiting floor temperature via floor sensor

### Programming

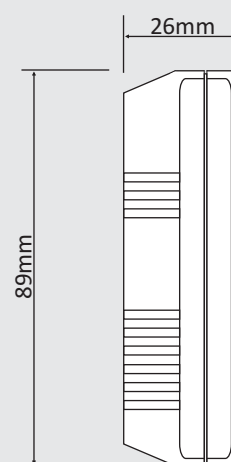
- Separate 5-day (weekday) and 1-day/1-day (Saturday/Sunday)
- 4 time and 4 temperature settings per day

### AT908B Technical Data

Supply voltage	230V AC
Output relay	16A resistive load
Temp. range	+5/+35°C
Floor. range	+5/+40°C
Clock function	4-event program
Battery backup	2 x AA 1.5V
Ambient temp	0/+40°C
On/Off differential	0.5°C
Protective housing	IP21
Housing material	PC+ABS
External sensor	NTK (100K Ohms)
Size	115mm×89mm×26mm
Approvals	CE
Warranty	3 Years



AT908B © 2010 Amuheat Pty Limited



AT908B © 2010 Amuheat Pty Limited